

Technical data

Taurox®

Type of machine	Taurox® 900
Thread capacity (Thread cutting - blind hole 2,0 x D in AlMg4,5Mn / 3.3547)	M6 – M22
Thread capacity (Thread cutting - blind hole 1,5 x D in stainless steel X6CrNiMoTi17-12-2 / 1.4571 / V4A)	M6 – M18 (M20)
Torque range (continuously adjustable)	8 – 90Nm
RPM range (continuously adjustable)	25 – 250RPM max. 200rpm from 60Nm
Spindle / tool holder	quick change holder Size 2
Throat	201mm
Travel height adjustment	0 – 425mm with crank
Column Ø / length / swivel range	70mm / 730mm / 60°
Machine pedestal (WxDxH) 2 x T-slots	469 x 296 x 75mm T-slots DIN 650–12
Dimensions machine (WxDxH)	484 / 469 / 1200mm
Dimensions control unit (WxDxH)	400 / 210 / 400mm
Electric supply / Power input	230V~ / 1,1kW
Cable length between the modules	3m
Spindle travel / thread depth	90 / 80mm
Modular construction (3-parts)	– spindle unit – operator and display unit – control unit
Entrance protection class	IP54
Engineer standard	Conforms to CE / EMV
LCD Display	4.3" TFT–display, 65536 colors
Operation	Menu driven
Digital inputs / outputs (24V DC / 3.6W) (PLC capable for automation & valves)	3 inputs* 10 outputs*
Depth accuracy	0,1mm
Finish	RAL 7035 / light grey RAL 5005 / signal blue
Quality evaluations / Error messages	Display with error message Evaluation and audible signal

Software:

- Languages: German / English / Spanish (more on request)
- Depth unit: mm / (inch on request)
- Process programs: thread cutting, rethreading, thread forming, thread inserts, screwing , thread plug gauge*
- Grade of quality: blowhole, array of torque, tolerance of depth, tool wear
- Control torque with indicator
- Independent of thread type and pitch
- Rotation: right-hand or left-hand switchable
- Reversal program: variable speed
- Different start menus, such as, manual button, automatic zero point identification with rotating spindle
- Chip clearance programs
- Parameter data storage
- Part counter
- Lubricant: cooling, and blow off control*
- Switching function for power outputs* for valves such as pneumatic part holder

Accessories*

Subject to change without notice

Technical data

Taurox®

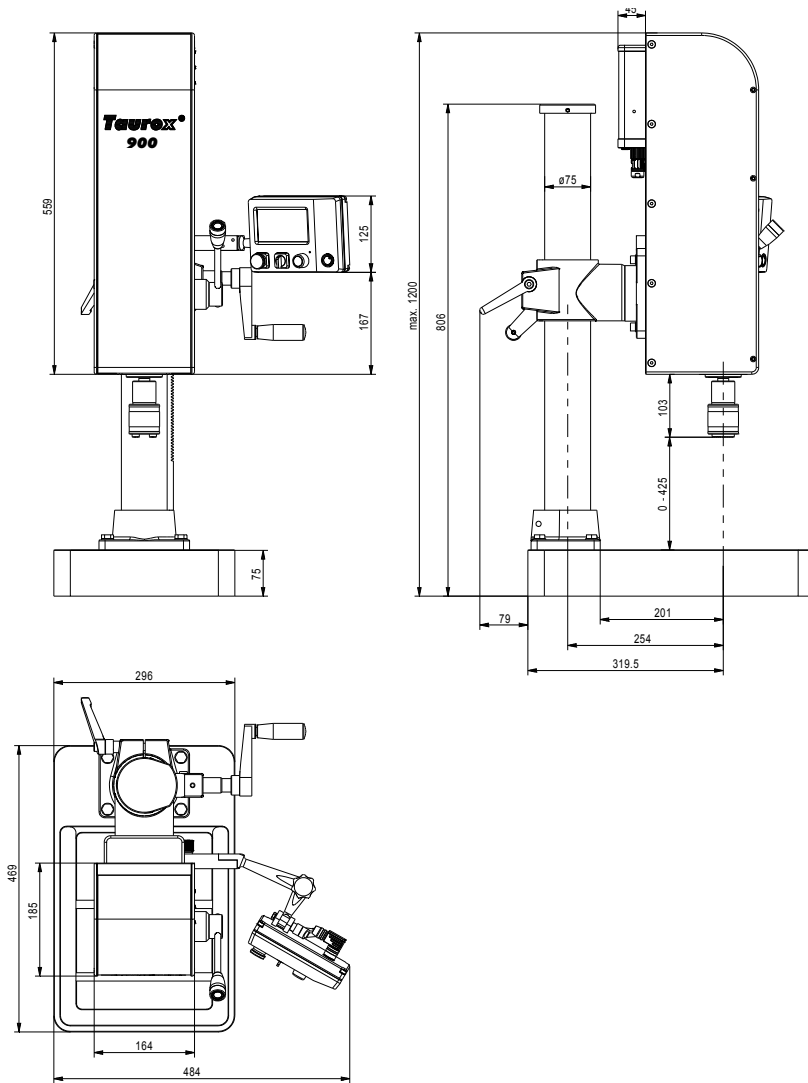


Fig.: View of the thread tapping machine **Taurox® 900**

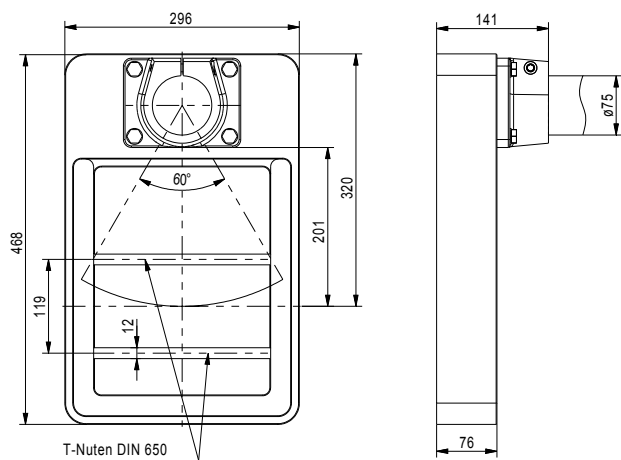


Fig.: View of the machine pedestal **Taurox® 900**

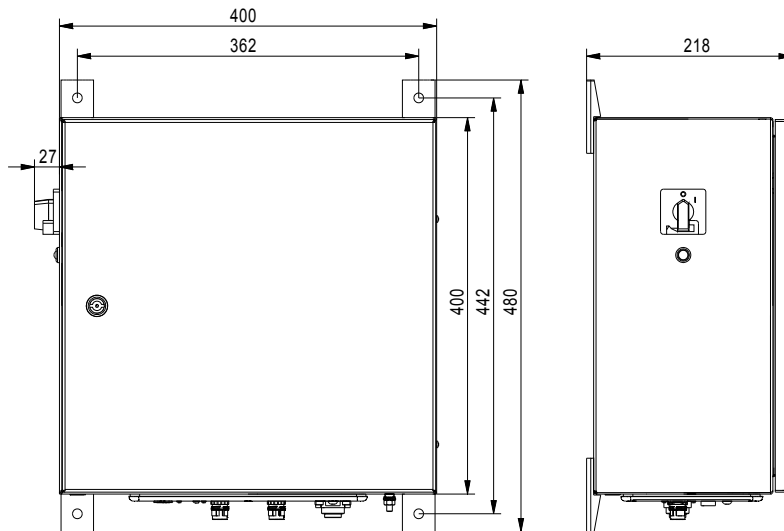


Fig.: View of the control unit **Taurox® 900**

Accessories:

- Quick change inserts
- Spindle feed system
- Minimum lubricant unit with lubricant pulse, air pulse
- Signal column red, orange, green and horn
- Key switch with lock-out
- Additional push selection for parameter data base
- Fixation to wall assembly kit for fixation to wall (control unit)
- Automation connection